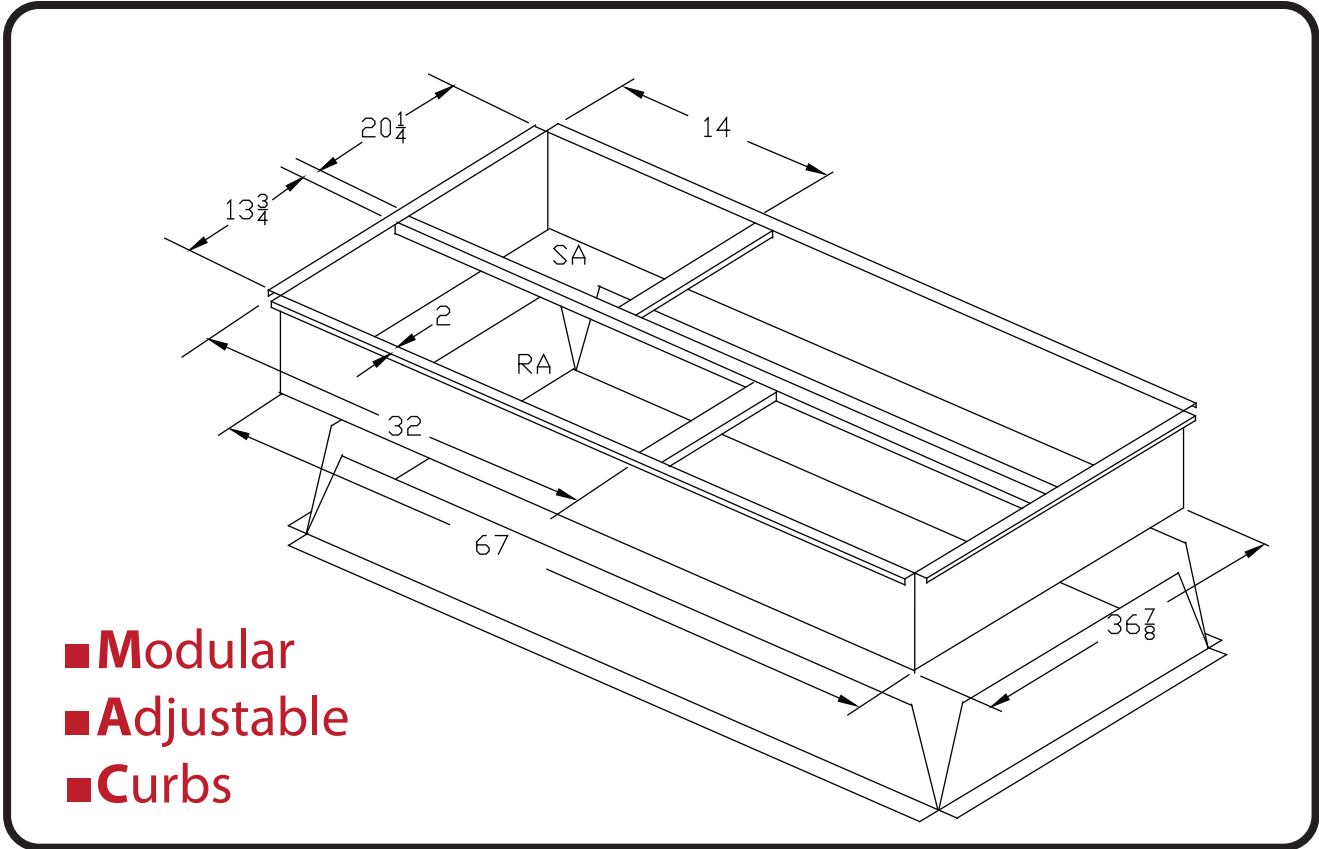


PRODUCT SPECIFICATIONS

MAC Curb Series

MODULAR METAL FABRICATORS INC.



- Modular
- Adjustable
- Curbs

ICP RG5048

DESCRIPTION

- Full assembled for fast installation
- Full perimeter wood nailer
- 18 Gauge prime galvanized steel
- 1" fiberglass insulation for sound attenuation
- Heavy duty reinforced corners
- 8", 10", 12" & 14" standard heights
- Curb installer to seal all corners and joints of curb as necessary

* Note: 3/4" duct flanges mount on curb top. See recommended duct sizes below

Curb Weight 106 LB

MAC #	UNIT MODELS	RECOMMENDED DUCT SIZES (O.D.)*